

MZP E

Pre-Announce Tone Setup



[04/26/04]

Tech Note

The Intelix MZP and MZP E is not a pre-announce tone generator, it simply contains the logic to trigger an external contact closure which activates an external tone generator, such as a Dukane Model 15A266 or Viking Model CTG1.

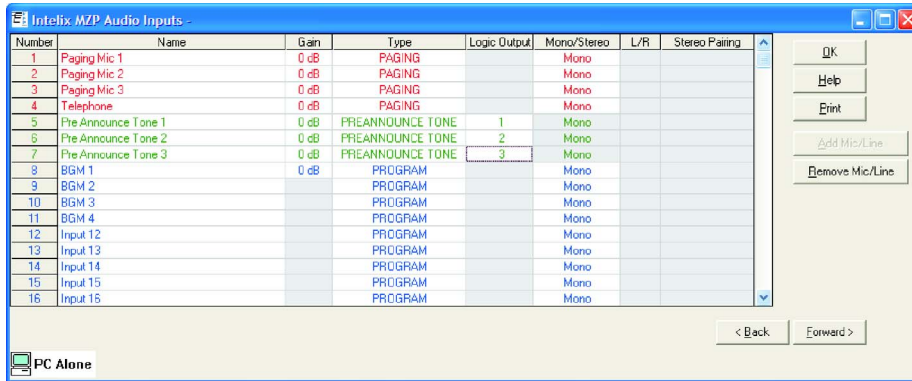


Fig. 1 MZP E Audio Inputs Screen showing Pre-Announce Tone Selections

Setting up the pre-announce tone:

1. In the MZP E Designer Software, ensure that the desired input(s) is configured as a pre-announce tone input. For example, Fig. 1 displays a tone generator terminated to pre-announce tone inputs 5-7. To change the type of input, double-click the desired input in the *Type* column. The logic output column indicates the actual logic output which will provide the contact closure trigger to the tone generator. To select the desired logic output and polarity, double-click the corresponding input.
2. Connect the external tone generator to the MZP E matrix hardware. The audio output and logic input for the tone generator should be connected to the input number configured in step 1.
3. The pre-announce source number and duration is setup in the specific paging station of the MZP E. First, open the paging station where a pre-announce tone is desired. Next, select the pre-announce tone source from the drop-down menu. Finally, select the duration of the audio pre-announce tone (0-30 seconds).

The changes may now be saved and uploaded to the physical MZP matrix.

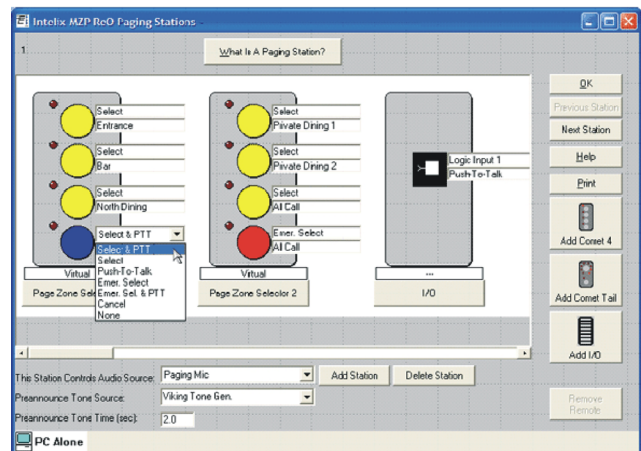
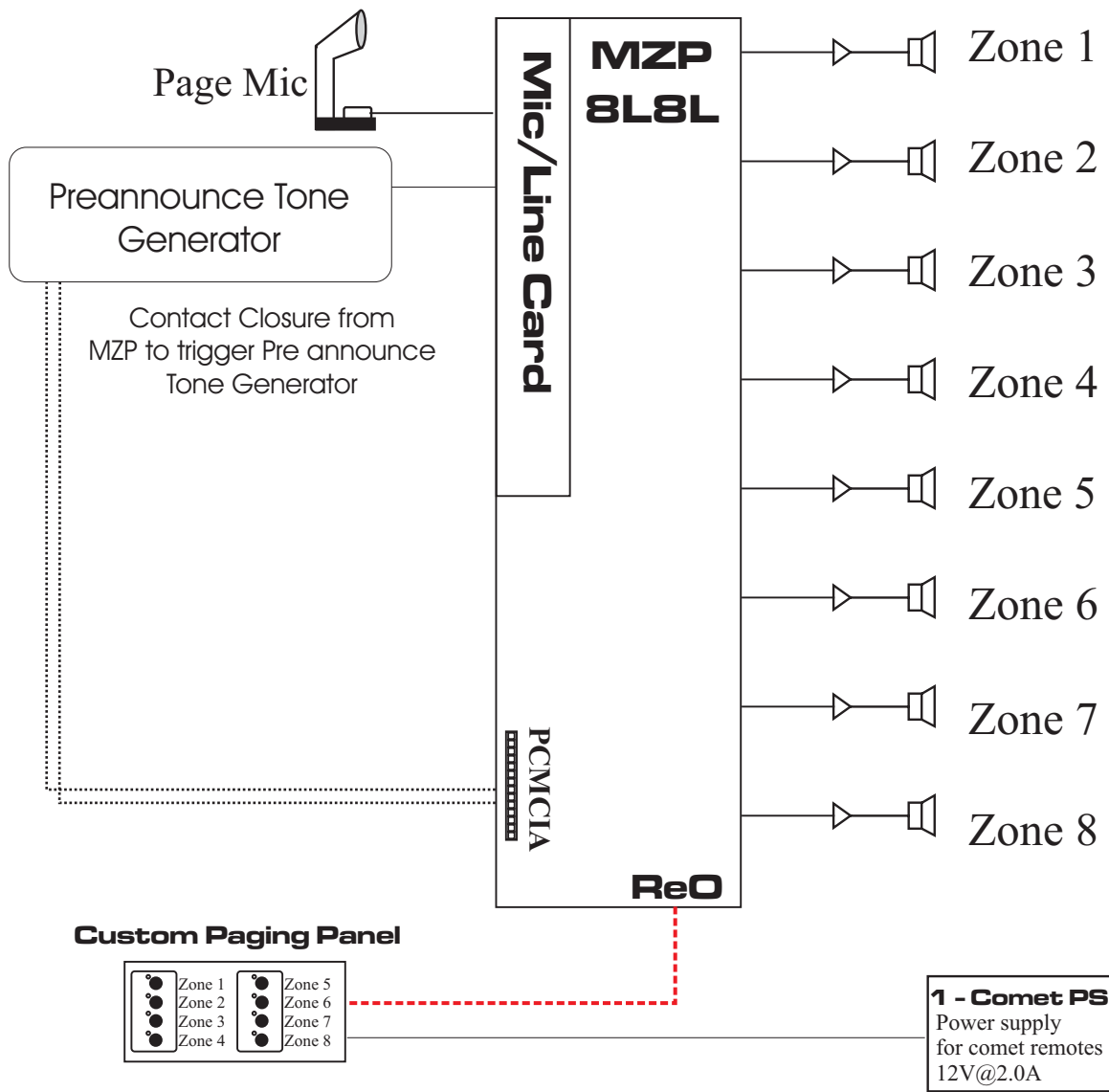


Fig. 2 ReO Paging Stations Screen



1 - Comet PS
 Power supply
 for comet remotes
 12V@2.0A

1 Comet PS
 for every 12
 comet remotes