

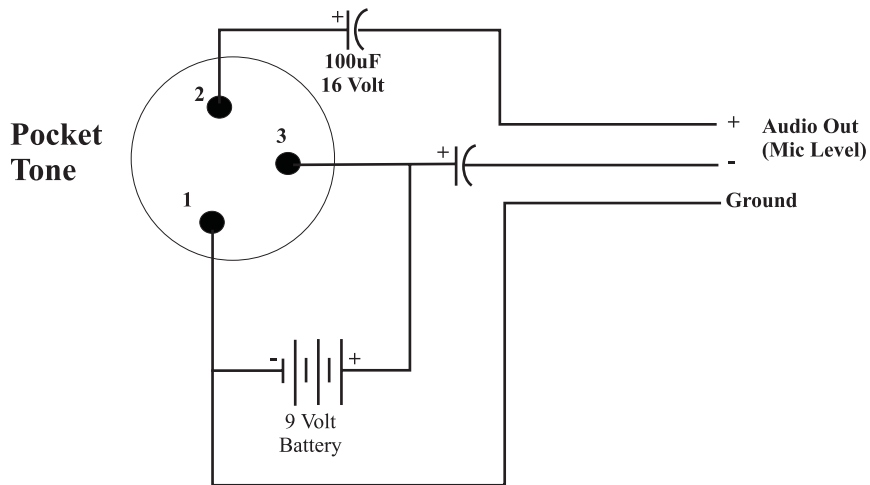
Tech Note

Pocket Tone/Noise Without Phantom Power



[10/22/02]

The Pocket Tone can be powered by a 9 volt battery when phantom power is not available.



The Pocket Noise requires more voltage therefore two 9 volt batteries are required.

