

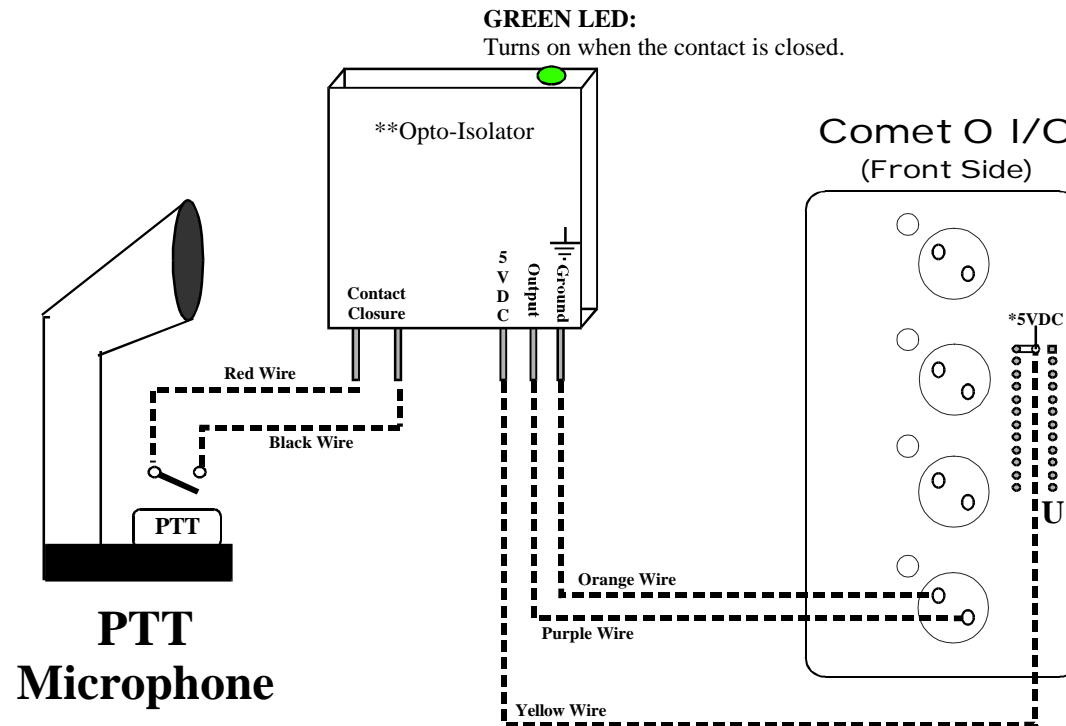
# #132 Opto-Isolator Wiring Instructions



General Layout [17 Mar 2003]

Tech Note

Opto-isolation may be required when installing a Comet 0 I/O into an Intelix matrix system. This is due to the fact that external equipment may induce stray voltages, surges, or static discharge directly into the circuits of the Comet 0 device. These voltage spikes may cause the system to go through a reset. If your system exhibits random resets, identified by a drop-out and subsequent 5 second ramp of the audio; or if intermittent remote response is encountered, please call Intelix for the following solution.



\* The opto-isolator requires 5 Volts of DC power for operation. This Voltage can be supplied by the Comet 0 I/O by connecting a wire to the location shown in the illustration. The location is a via in the circuit board between pins 1 (square hole) and 24 (opposite side) of IC Chip U1. Make other connections as shown.

\*\* Manufacturer/Distributor Details:

Newark Catalog Part # **16F7261**

Grayhill Part # **70G-IDC5S**