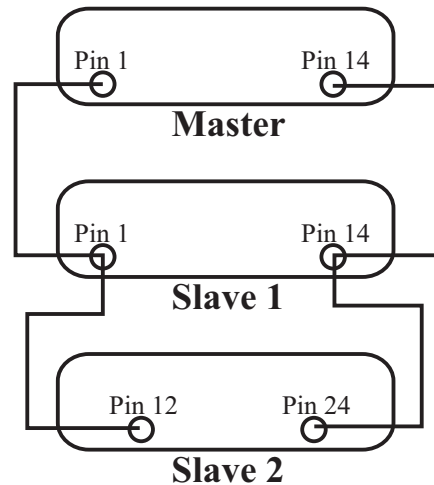


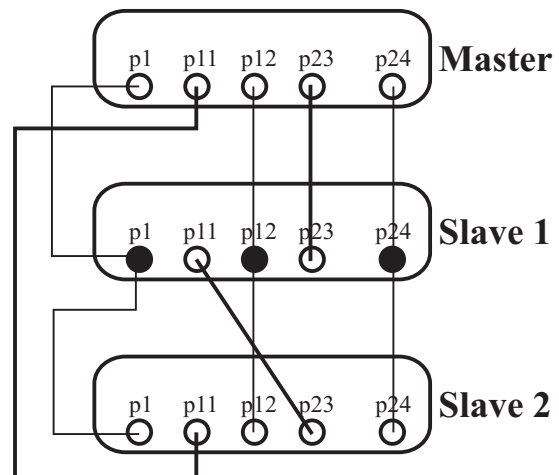
Linking 3 AMIXs Without Using AMIX Links

Connect the pins of the lower DB-25 connector as shown. This daisy-chains the audio signals.

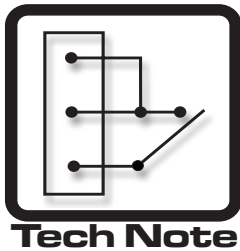


Linking the Control Chain

Connect the pins of the upper DB-25 connectors as shown. This connects the control signals.

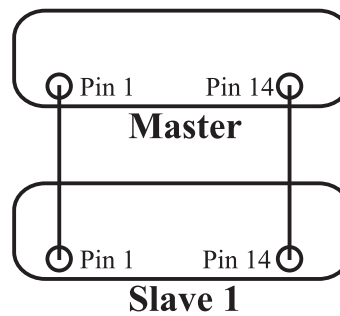


Note: The dark lines comprise a control signal ring and special attention must be paid to these connections to ensure correct operation. All other connections are “straight-through” pin-to-pin. A black pin means a connection at that point.



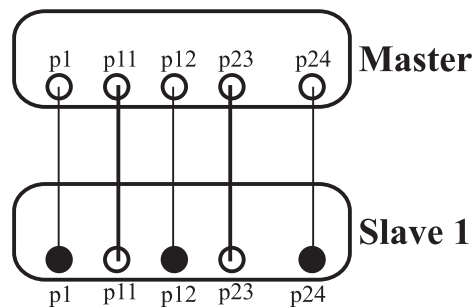
Linking 2 AMIXs Without Using AMIX Links

Connect the pins of the lower DB-25 connector as shown. This daisy-chains the audio signals.



Linking the Control Chain

Connect the pins of the upper DB-25 connectors as shown. This connects the control signals.



Note: The dark lines comprise a control signal ring and special attention must be paid to these connections to ensure correct operation.