

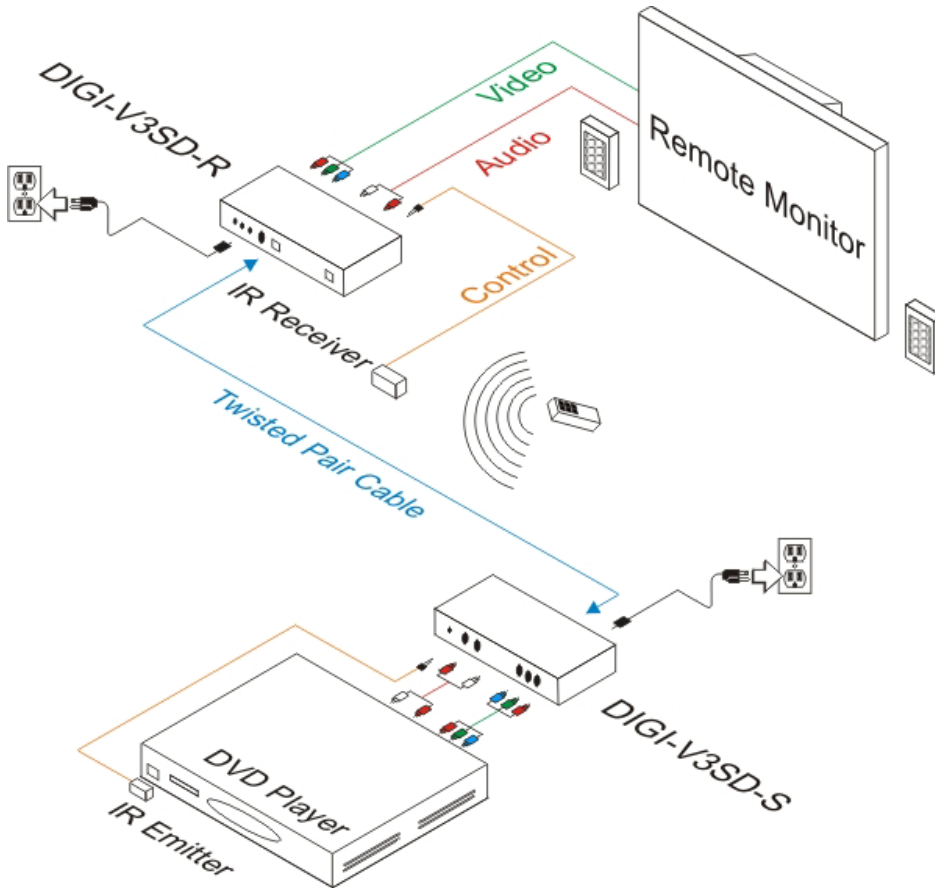


Tired of pulling multiple cables? Fed up with long, bulky cable runs? **Simplify with Intelix DIGI-V3SD extenders.**

When used with a compatible receive balun, the DIGI-V3SD-S transmits component video, stereo audio, IR and RS232 up to 1,000 feet over a single twisted pair cable.

No matter the application, the SD Series has you covered.

Maximum Distance	1,000 feet	Enclosure	Metal
Supported Signals	YPbPr, Y/C, composite video, stereo audio, IR, RS232	Max Distance of AV Cables	6 feet
Supported Resolutions	1080i, 720p, 480i, 480p	Control	IR and bi-directional RS232
Video Bandwidth	300 MHz	IR Direction	From destination to source
Audio Frequency Response	20 Hz to 20 kHz	Power	5 VDC
Connectors	(3) RCA: video (2) RCA: audio (1) 1/8" mini: IR (1) DB9: RS232	Diagnostic	Power LED
Operating Temperature Range	-41 to 95 degrees F	Regulatory	CE, RoHS
Operating Humidity Range	5 to 90% non-condensing	Shipping Weight	5.0 lbs
		Dimensions	5.25" x 3.38" x 1.00"
		Intelix Part Number	DIGI-V3SD-S
		Compatible Receivers	DIGI-V3A2-R DIGI-V3SD-R
		Included Accessories	(1) 5 VDC power supply
		Warranty	2 years



*Note: the DIGI-V3SD-S transmits IR or RS232, not both simultaneously. RS232 takes precedence over IR.

