

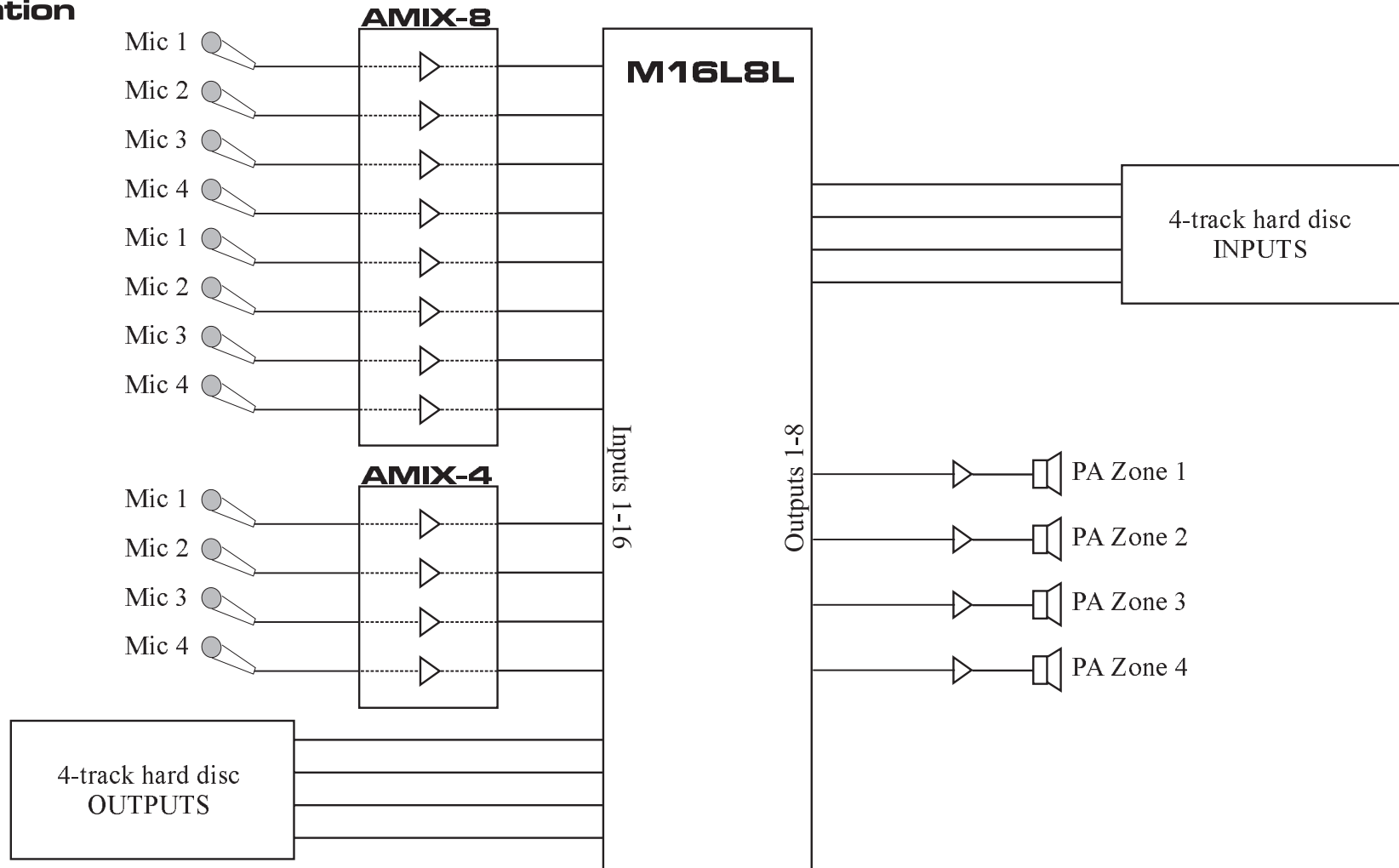


#124 M Series Automix & Matrix Mix



General Layout [09/20/00]

Application



This design is the most flexible and would allow the matrix to perform a mix-minus function in addition to the automixing of the AMIX units. This is the best method to prevent feedback. In this system, you can create a mix in each speaker zone that has little or no level of microphones within it.