

#106 AMIX-8 Distance Learning Application



General Layout [08/23/00]

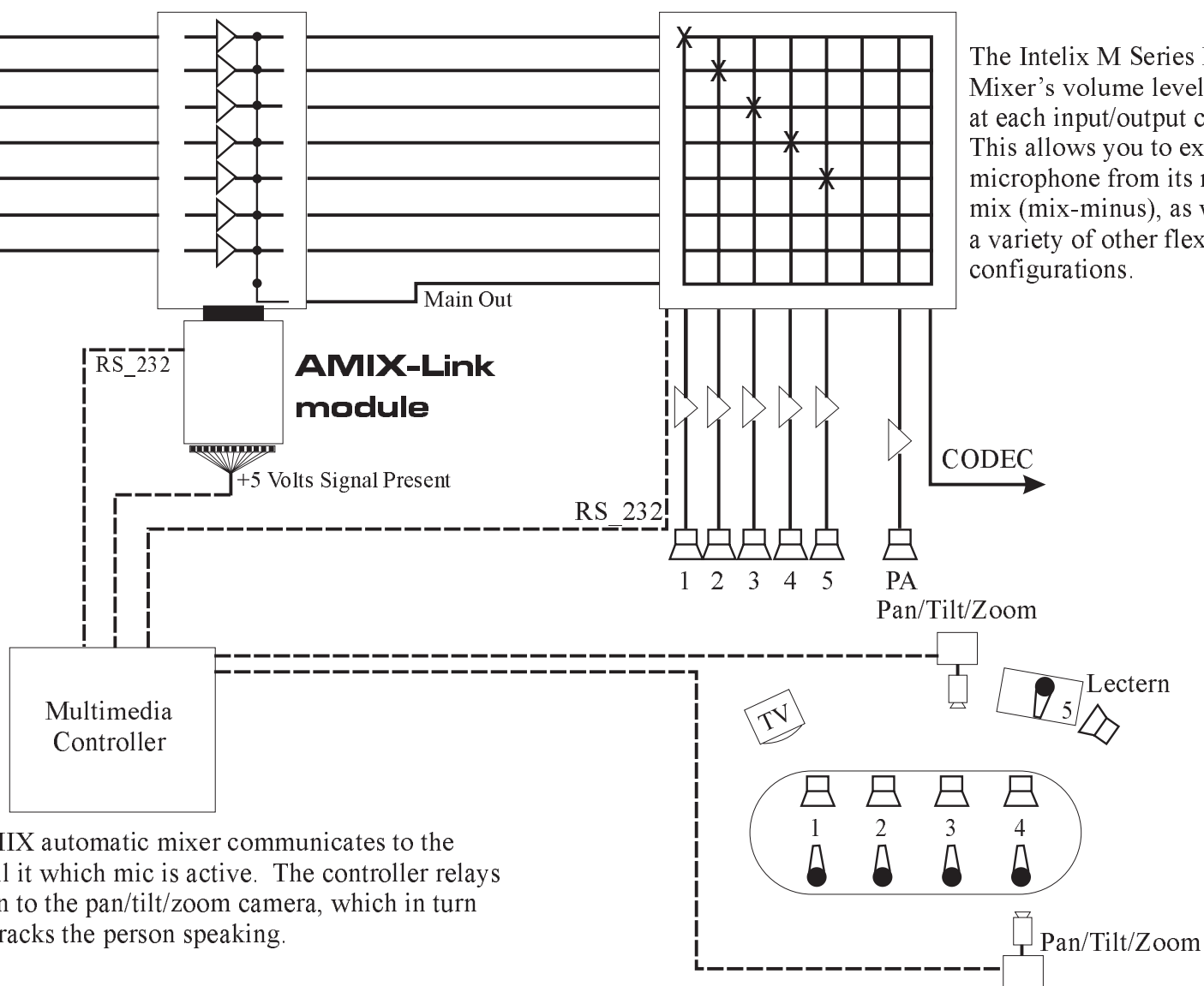
Application

- Student 1
- Student 2
- Student 3
- Student 4
- Lectern
- VCR
- CODEC

AMIX-8

M8L8L

The Intelix M Series Matrix Mixer's volume levels are set at each input/output crosspoint. This allows you to exclude any microphone from its monitor's mix (mix-minus), as well as a variety of other flexible routing configurations.



The Intelix AMIX automatic mixer communicates to the controller to tell it which mic is active. The controller relays this information to the pan/tilt/zoom camera, which in turn automatically tracks the person speaking.